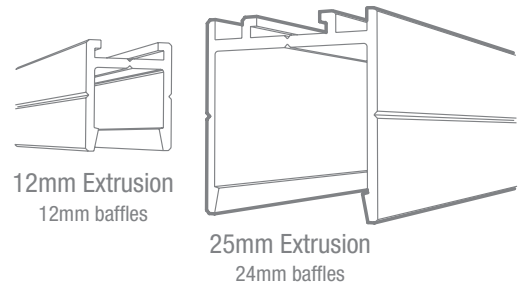
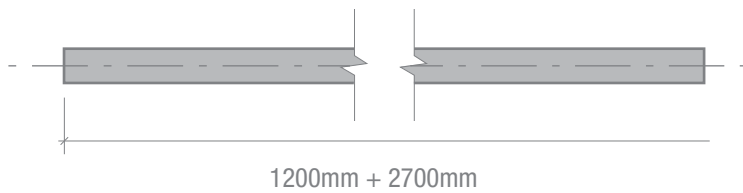


# ECOUSTIC® BAFFLE INSTALLATION INSTRUCTIONS - SOLID COLOUR

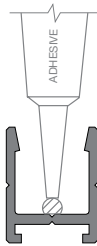
Baffle extrusions are available in lengths of 2700mm or 1200mm for nominal 12mm + 24mm baffle thicknesses.



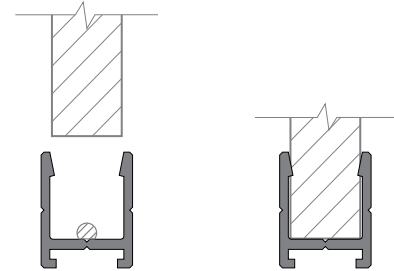
## ASSEMBLY OPTIONS - CONNECTING BAFFLE TO EXTRUSION

Weight Rating: Maximum weight rating per baffle extrusion with all hardware options: 20kg

### 1. Friction Fit + Adhesive

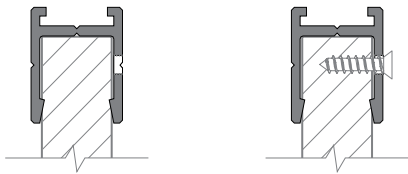


Apply continuous bead of appropriate adhesive to underside of baffle extrusion.



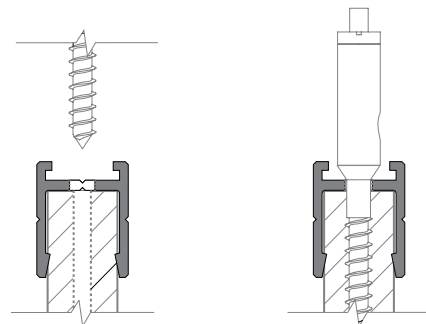
Friction fit the baffle to the extrusion, applying equal pressure along the length of the baffle.

### 2. Fastener From Side



Attach extrusion to baffle and fasten screw through extrusion recess.

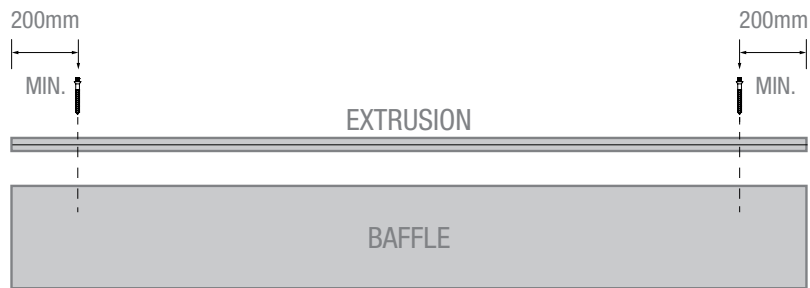
### 3. Fastener From Above



Attach extrusion with pre-drilled hole to baffle. Twist cable fixture and screw into baffle through pre-drilled hole.

A STRUCTURAL ENGINEER'S SAFETY CERTIFICATION IS RECOMMENDED FOR ALL OVERHEAD INSTALLATIONS

# CEILING SUSPENSION LOCATION GUIDE - SOLID COLOUR



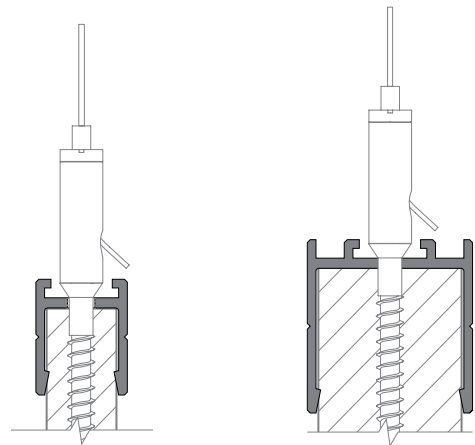
Suspension points should be placed minimum 200mm from either end of the baffle.

## VERTICAL CABLE INSTALLATION OPTIONS

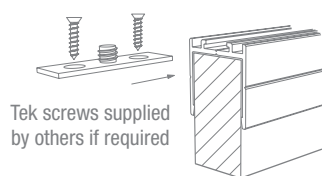
### Option A - Ecoustic® Baffle Screw

Follow assembly option 3, attach cable fixture to exposed screw head before fastening the screw into the baffle.

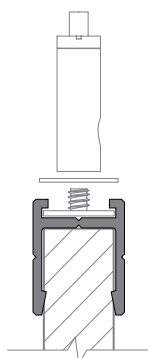
Push and hold down the cable clutch while threading the cable through to the desired length. Cut any excess cable.



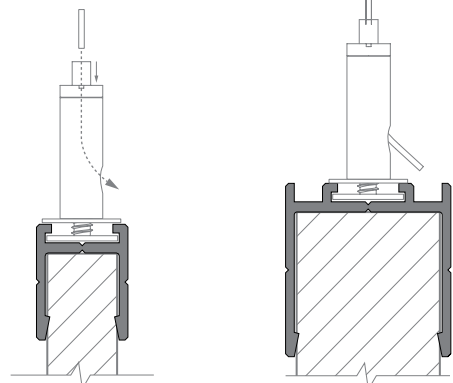
### Option B - Sliding Cable Mount Via Extrusion



Tek screws supplied by others if required

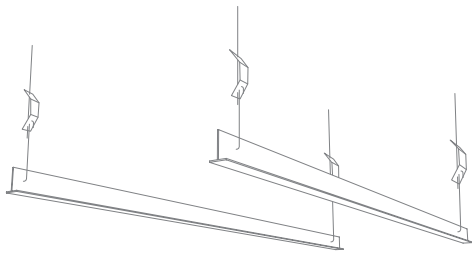


After extrusion is secured to baffle, insert sliding rail into extrusion. Secure cable fixture to exposed screw head with supplied washer between.

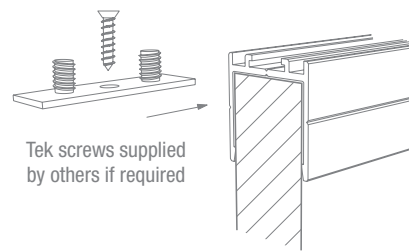


Push and hold down the cable clutch while threading the cable through to the desired length. Cut any excess cable. Same process for 12mm + 24mm baffles. Slide cable clutch and rail to desired baffle location and secure.

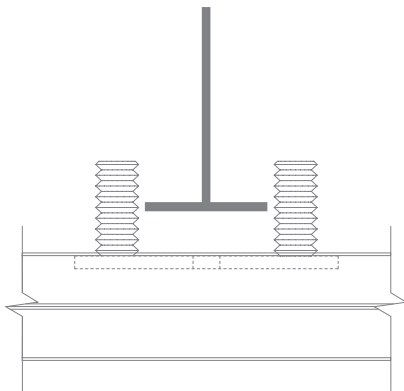
# SUSPENDED TEE BAR INSTALLATION - SOLID COLOUR



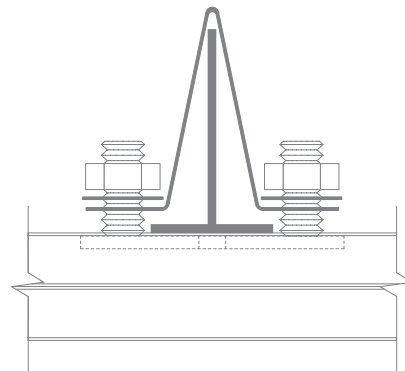
Install 'tee' bars to manufacturer's specification at desired level. Minimum two 'tee' bars per baffle span.



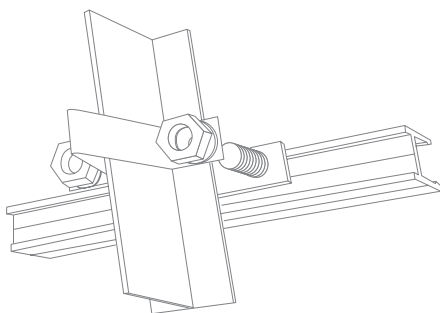
After extrusion is secured to baffle, insert sliding rails into extrusion.



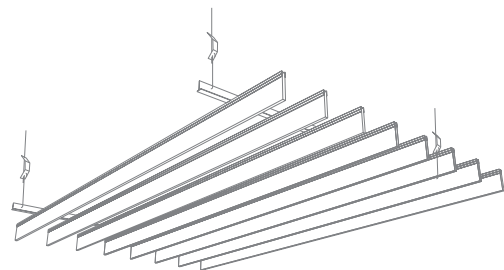
Offer baffle assembly to ceiling 'tee' bar ensuring 'tee' bars are centred between mounting studs.



Place collars over 'tee' bars and mounting studs. Screw hand tighten nuts and washer over mounting studs.



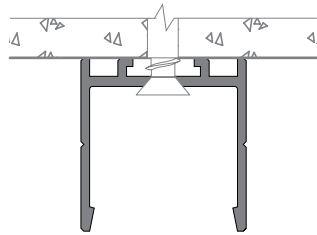
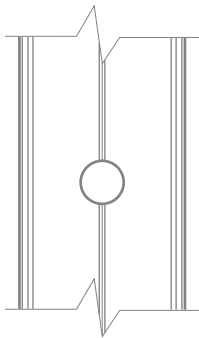
Slide collar and rail along extrusions, and baffle assembly along 'tee' bar to desired location if necessary. Tighten nuts over collar to lock baffle in position.



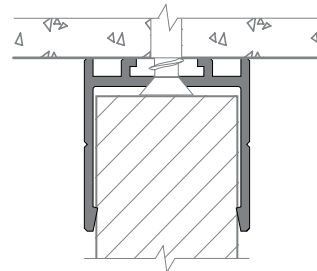
Completed assembly.

# DIRECT FIX INSTALLATION - SOLID COLOUR

## Direct Fix Installation

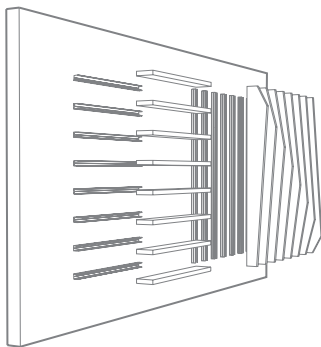


Secure appropriate fasteners into substrate through pre-drilled holes in baffle extrusion.



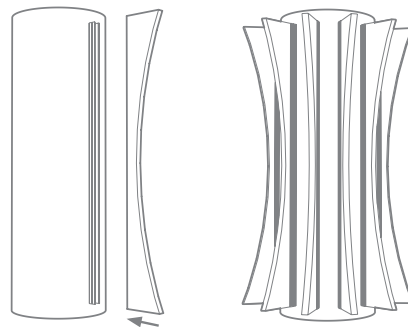
Secure baffles to extrusions using the options outlined on page 1 and 2.

## Ceiling + Wall



Follow the same procedure above for wall and ceiling installations of baffle.

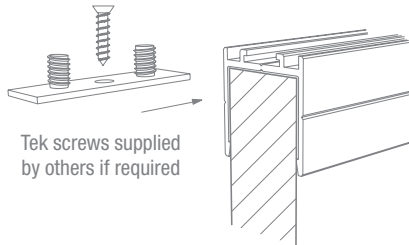
## Column



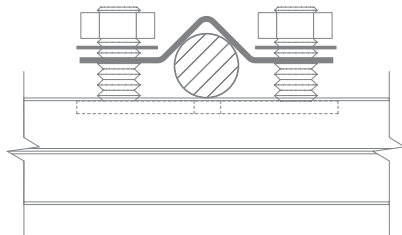
Follow the same procedure above for column installations of baffle.

# ROD INSTALLATION - SOLID COLOUR

## Metal Rod Installation



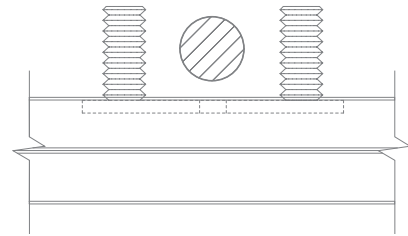
After extrusion is secured to baffle, insert sliding rails into extrusion.



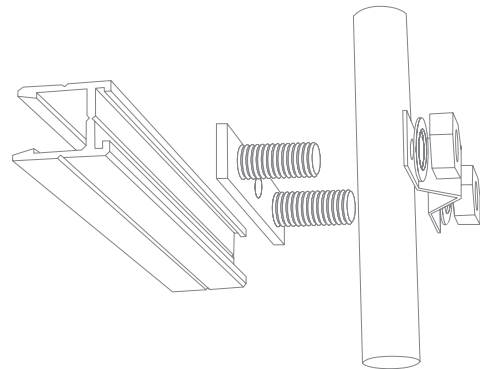
Place collars over rods and mounting studs, screw hand tighten nuts and washers over mounting studs.



Completed assembly.



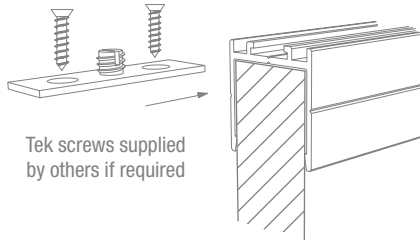
Offer baffle assembly to structural rods ensuring rods are centred between mounting studs. (Minimum 2 rods per baffle span).



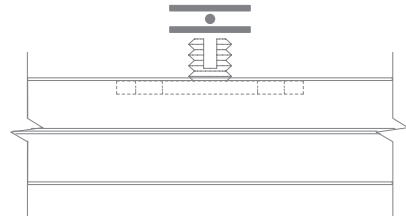
Slide collar and rail along extrusions, and baffle assembly along rods to desired location if necessary. Tighten nuts over collar to lock baffle in position.

# SLUNG CABLE SUSPENSION INSTALLATION - SOLID COLOUR

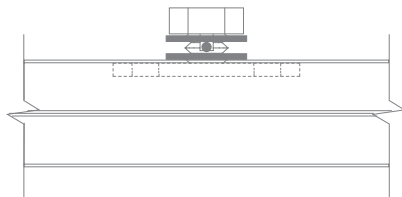
## Slung Cable Installation



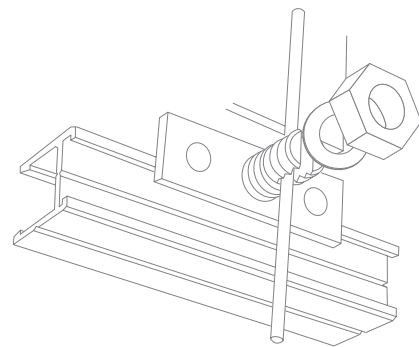
After extrusion is secured to baffle, insert sliding rails into extrusion.



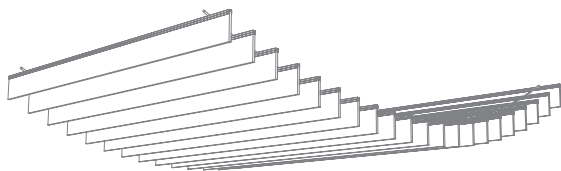
Offer baffle assembly to structural cables ensuring cables are centred within fastener cavity and between washers. (Minimum 2 cables per baffle span).



Hand tighten nuts over assembly, capturing the cable between the washers.



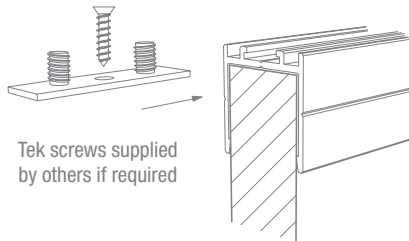
Slide rails along extrusions, and baffle assembly along cables to desired location if necessary. Tighten nuts over washers to lock baffle in position.



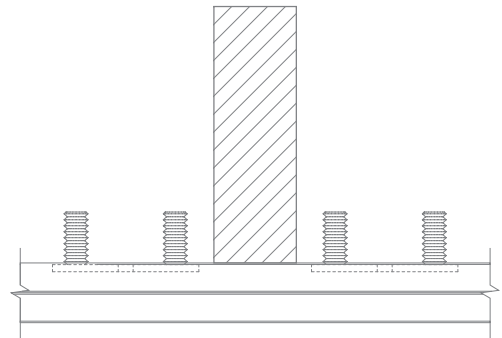
Completed assembly.

# COLLAR STRAP INSTALLATION - SOLID COLOUR

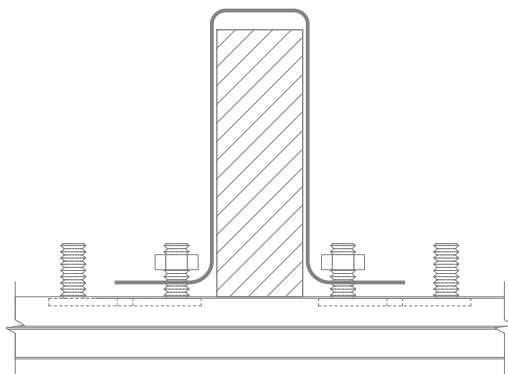
## Ceiling Collar Strap Installation



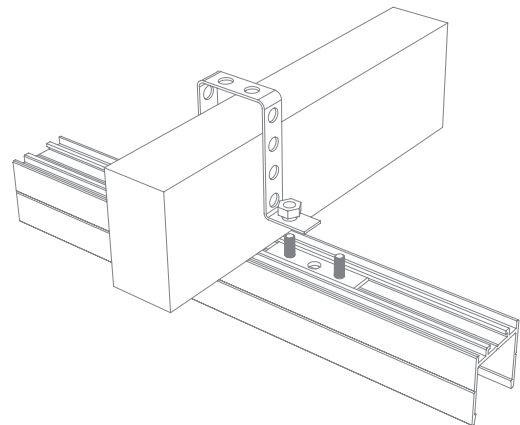
After extrusion is secured to baffle, insert sliding rails into extrusion.



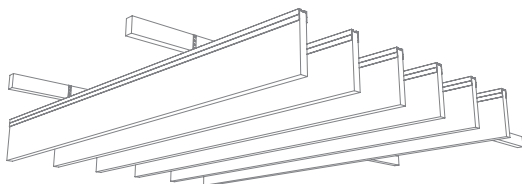
Offer baffle assembly to building structure ensuring it is centred between two sliding rails. (Minimum 2 structural components per baffle span).



Measure and cut strap to length, place strap over structural components and mounting studs, screw hand tighten nuts and washers over mounting studs.



Slide strap and rails along extrusions, and baffle assembly along structural components to desired location if necessary. Tighten nuts over strap to lock baffle in position.



Completed assembly.

# CARE - SOLID COLOUR BAFFLES

---

## **Please Note**

- Ecoustic® Baffles should be removed from the ceiling or wall to ensure they can be cleaned safely.
- Disassemble baffle in reverse sequence of the relevant assembly process mentioned above.
- It is recommended to spot clean only by a professional cleaner.

## **Regular Care**

- Protect from direct heat and sunlight.
- To prevent dust build up, lightly dust with a soft cloth or vacuum with a soft brush attachment.

## **Spot Cleaning**

- Professional cleaning is always recommended.
- Always test any cleaning products on an inconspicuous area prior to commencing cleaning.
- Blot any excess spills from the material with a dry clean sponge or cloth.
- Treat all stains and spills as soon as possible.
- Most marks can be spot cleaned by lightly wetting the affected area with a mild detergent and warm water solution.
- Do not saturate the baffle panel.
- Do not scrub or abrade the fabric as this will affect the surface finish.
- Once the stain or mark has been loosened then blot the excess solution out with a dry clean cloth.
- Sponge afterwards with clean warm water and mop any excess moisture with a dry clean sponge or cloth.
- The surface can also be spot cleaned with dry cleaning fluid. Lightly sponge a small amount of dry cleaning fluid and blot.
- Dry away from direct heat and sunlight.
- Avoid the use carpet shampoos.